

NOTICE OF REQUEST FOR BID/QUOTATION
Simplified Bidding & Shopping - Goods

Supply and Delivery of Package 3.2: Two (2) Units of Fabricated Hauling Tricycle for the Romblon Swine Meat Processing

Solicitation No. PRDP-IR-R04B-ROM-005-000-000-2021

1. The Government of the Republic of the Philippines has received a loan from the World Bank towards the cost of the Philippine Rural Development Project (PRDP) and intend to apply part of the proceed of this loan for the payment for the cost of this contract: **Supply and Delivery of Package 3.2: Two (2) Units of Fabricated Hauling Tricycle for the Romblon Swine Meat Processing** .
2. The **Magdiwang Agrarian Reform Cooperative (MARC)** hereinafter referred to as the Proponent Group (PG), now requested interested applicants to submit quotation for the:

Contract Name:
Supply and Delivery of Two (2) Units of Fabricated Hauling Tricycle for the Romblon Swine Meat Processing

Item No.	Description/ Specifications	Quantity	Unit	Unit Price	Total Price
1	Fabricated Hauling Tricycle Specifications: - Brand New; - Single motorcycle with sidecar- 175cc; - Gasoline Engine - 4 stroke; - Dimension of side car: - Top View: Flat Bar with Epoxy Paint 2.5' x 6' (L x W); - Front View: G.I. Sheet Painted with Epoxy Paint 3'; - Side View: G.I. Pipe Painted with Epoxy Paint 3'; - Terms and Conditions: * With 3 years warranty; * With LTO registration; * With Accessories and Logo; *Must be compliant with the attached drawings.	2	Unit	Php212,400.00	Php424,800.00
TOTAL					Php424,800.00

3. Copy of the Bid Form is attached to this notice. Bids must be marked with the name of the contract and the Solicitation No. **PRDP-IR-R04B-ROM-005-000-000-2021**. Bids shall be submitted through any of the following:

- a. Through sealed envelope (hand carry to the PG official address)
- b. Through mail (courier) (delivered to the PG official address)
- c. Through email (received at the PG official email address)

Name of PG-PT

Chairperson : **Mary Ann P. Mayor**

Official Address of PG : **Poblacion, Magdiwang Romblon**

Telephone number : **+639467443377**

Email address : **magdiwangmarcmpc@gmail.com**

4. All entries must be typewritten or hand-written eligibly. Bid Forms shall be submitted together with the following documents:

- a) Valid business permit and
- b) BIR registration;

Note:

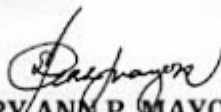
a) The bidder/supplier must be an authorized dealer, distributor or manufacturer of the goods to be procured and the brand of the product offered must be in the Philippine market for at least 10 years prior to the bid opening; and

b) The bidder must have after-sales service facilities in major cities in the Philippines.

5. Quotations must be submitted on or before **August 23, 2023 @ 10:00AM.**

6. The procurement procedures will be conducted in accordance with the provisions of the World Bank Procurement Guidelines and taking into consideration the related provisions in the Project Loan Agreement and Guidelines in the Procurement under the IBRD loans and IDA credits.

7. The **Magdiwang Agrarian Reform Cooperative (MARC)** reserves the right to accept or reject any quotation and to annul the procurement process or reject all bids at any time prior to contract award, without thereby incurring any liability to the affected bidder/s.

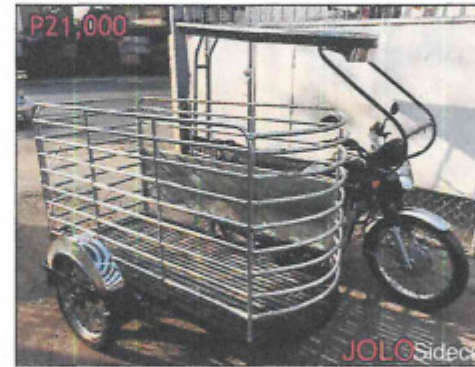
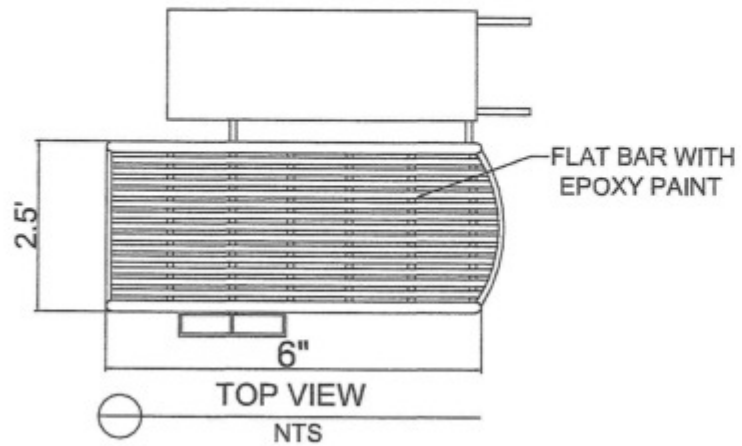


MARY ANN P. MAYOR

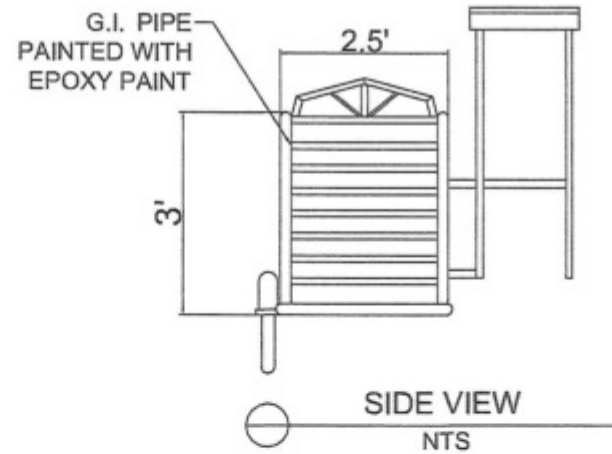
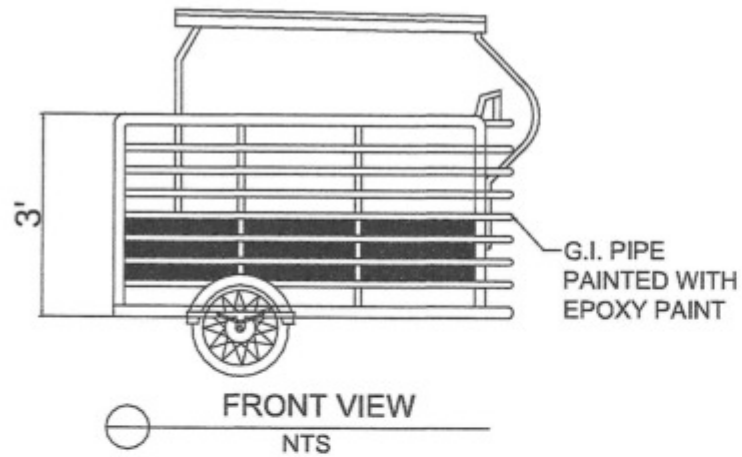
Chairperson

PG Procurement Team

Magdiwang Agrarian Reform Cooperative (MARC)



PERSPECTIVE VIEW
NTS



PROJECT TITLE:	DRAWN BY:	VERIFIED AND CHECKED:	RECOMMENDED BY:	APPROVED BY:	PAGE NO.
PROPOSED TRAMBIA - 3 WHEELED TRANSPORT VEHICLE					1

NOTICE OF PROPOSURE FOR MANUFACTURING
SIMILAR TO THE ATTACHED DRAWINGS



Terms and Conditions:
 1. Bids should be submitted to
 2. Bids should be submitted to
 3. Bids should be submitted to
 4. Bids should be submitted to
 5. Bids should be submitted to

Magdiwang Agrarian Reform Cooperative (MARC)
Poblacion, Magdiwang Romblon
PRDP-IR-R04B-ROM-005-000-000-2021

REQUEST FOR QUOTATION
Shopping for Goods

The Government of the Republic of the Philippines has received a loan from the World Bank towards the cost of the Philippine Rural Development Project (PRDP) and it intends to apply part of the proceeds of this loan to pay for the cost of:

Supply and Delivery of Package 3.2: Two (2) Units of Fabricated Hauling Tricycle for the Romblon Swine Meat Processing

INSTRUCTIONS:

1. Bidders are required to read the instructions and fill in all the blanks properly.
2. Prospective Bidders/Suppliers may submit their own canvass form in accomplishing their bid proposals/quotations subject to the condition that the official bid form shall be filled up (with the offered brand, the specifications required, unit price, and total price), signed properly and attached together with the Bidder's/Supplier's own canvass form. (Please write legibly).
3. Any specification other than those required/stated in this form shall not be considered in the evaluation of bids.
4. Quotation/s must include all kinds of taxes for the item(s)/services listed hereunder, including delivery charges. Failure to include all relevant taxes shall be a basis for the bidder's disqualification.
5. Indicate the complete specifications and brand name/model of the offered item(s) or product(s).
6. Price quotation/s submitted shall be valid for **THIRTY (30)** days from the deadline of submission of quotations.
7. Terms of Payment within - Thirty (30) days from the delivery of item/s. (This may be revised based on the requirement).
8. Bids shall be submitted through any of the following:
 - a. Through sealed envelope (hand carry to the PG official address)
 - b. Through mail (courier) (delivered to the PG official address)
 - c. Through email (received at the PG official email address)

Name of PG-PT

Chairperson : **Mary Ann P. Mayor**

Official Address of PG : **Poblacion, Magdiwang Romblon**

Telephone number : **+639467443377**

Email address : **magdiwangmarcmipc@gmail.com**

9. All entries must be typewritten or hand-written legibly. Bid Forms shall be submitted together with following documents:

- a) Valid business permit and
- b) BIR registration;

Note:

- a) *The bidder/supplier must be an authorized dealer, distributor or manufacturer of the goods to be procured and the brand of the product offered must be in the Philippine market for at least 10 years prior to the bid opening; and*
- b) *The bidder must have after-sales service facilities in major cities in the Philippines.*

10. Awarding shall be made on: [] item [] per lot [] per package. The award shall be made to the lowest *evaluated* quotation that complies with the minimum technical specifications and other terms and conditions stated herein.

11. Deadline for the submission of bids **August 23, 2023 @ 10:00AM.**

12. Validity of stocks: **ninety (90)** days.

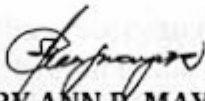
13. Delivery period: **sixty (60)** days upon receipt of approved Purchase/Work Order.

Mary Ann P. Mayor
MAYOR
MAGDIWANG ROMBLON

Contract : **Supply and Delivery of Package 3.2: Two (2) Units of Fabricated Hauling Tricycle for the Romblon Swine Meat Processing**
 Delivery Period : **September - October 2023**
 Place : **Poblacion, Magdiwang Romblon**

Contract Name:
Supply and Delivery of Two (2) Units of Fabricated Hauling Tricycle for the Romblon Swine Meat Processing

Item No.	Description/ Specifications	Quantity	Unit	Unit Price	Total Price
1	Fabricated Hauling Tricycle Specifications: - Brand New; - Single motorcycle with sidecar- 175cc; - Gasoline Engine - 4 stroke; - Dimension of side car: - Top View: Flat Bar; with Epoxy Paint 2.5' x 6' (L x W); - Front View: G.I. Sheet Painted with Epoxy Paint 3'; - Side View: G.I. Pipe Painted with Epoxy Paint 3'; - Terms and Conditions: * With 3 years warranty; * With LTO registration; * With Accessories and Logo; *Must be compliant with the attached drawings.	1	Unit	Php212,400.00	Php424,800.00
TOTAL					Php424,800.00


MARY ANN P. MAYOR
 Chairperson
 PG Procurement Team