

## BID FORM

Contract Name: **Supply and Delivery of Package 3.2: Two (2) Units of Fabricated Hauling Tricycle for the Romblon Swine Meat Processing**

Solicitation No. **PRDP-IR-R04B-ROM-005-000-000-2021**

THE PROPONENT GROUP – PROCUREMENT TEAM (PG-PT)

\_\_\_\_\_

\_\_\_\_\_

SIR/MADAM:

I/We submit our quotation and compliance to the required specifications indicated below for the contract stated above. I/We have carefully read and fully understood the minimum requirements and agree to furnish and/or deliver in conformity with the specifications and or all said articles described within **sixty (60)** working days from receipt of Purchase/Work Order.

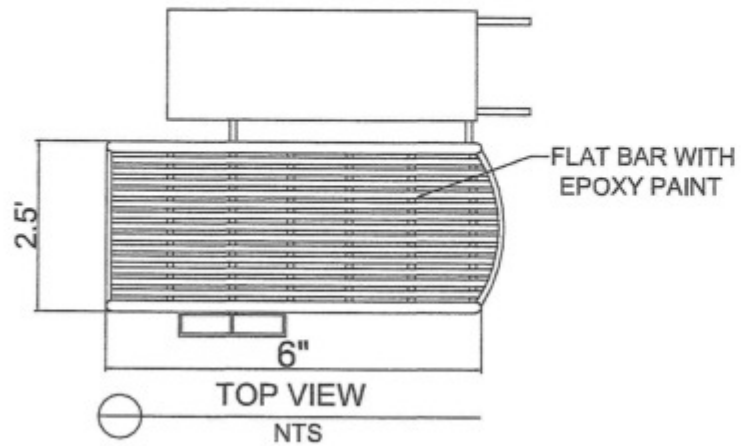
Qty	Unit	Item/Description	Offered brand	Unit cost	Total Price
2	units	<b>Fabricated Hauling Tricycle</b>  Brand New Single motorcycle with sidecar - 175cc Gasoline Engine 4 stroke Dimension of side car: Top View: Flat Bar with Epoxy Paint 2.5' x 6' (L x W) Front View: G.I. Sheet Painted with Epoxy Paint 3' Side View: G.I. Pipe Painted with Epoxy Paint 3'  <b>Terms and Conditions:</b> * With 3 years warranty * With LTO registration * With Accessories and Logo *Must be compliant with the attached drawings			
<b>GRAND TOTAL</b>					

We also submit a copy of the following documents as required:

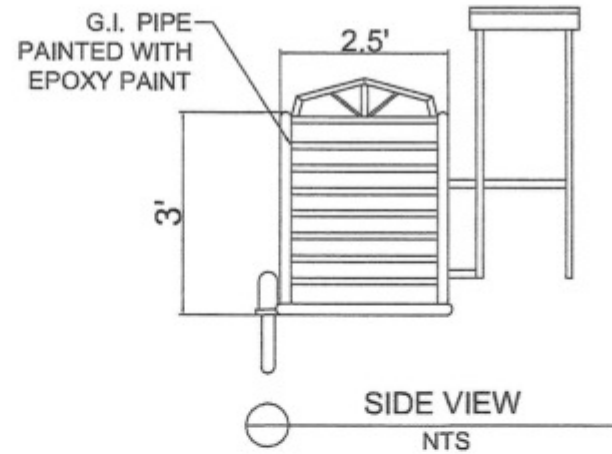
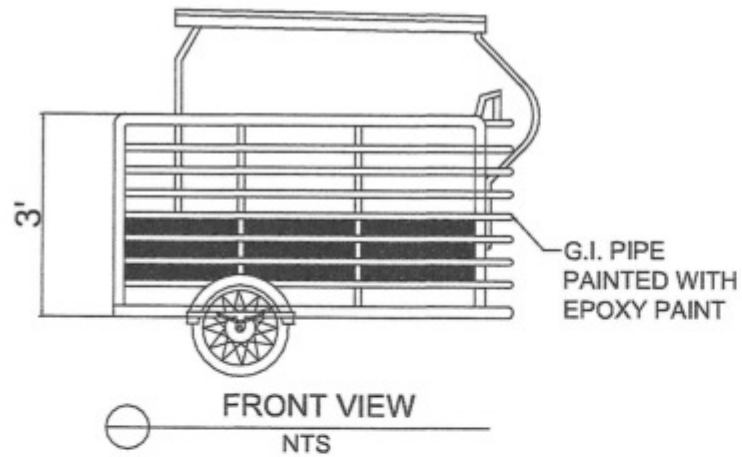
- a) Valid business permit; and
- b) BIR registration.

This bid and your written acceptance will constitute your assent in compliance with the requirement. We understand that the PG will award based on the Lowest Calculated and Responsive Bid/Quotation.

_____ Signature Over Printed name of Authorized representative	_____ Registered Name of the Company	_____ Tax Identification Number
_____ Telephone number(s)	_____ Address	_____ Date Accomplished



PERSPECTIVE VIEW  
NTS



PROJECT TITLE:	DRAWN BY:	VERIFIED AND CHECKED:	RECOMMENDED BY:	APPROVED BY:	PAGE NO.
PROPOSED TRAMBIA - 3 WHEELED TRANSPORT VEHICLE					<b>1</b>

