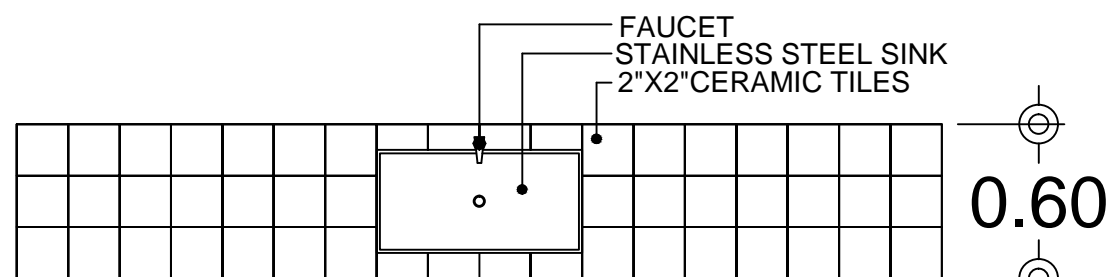
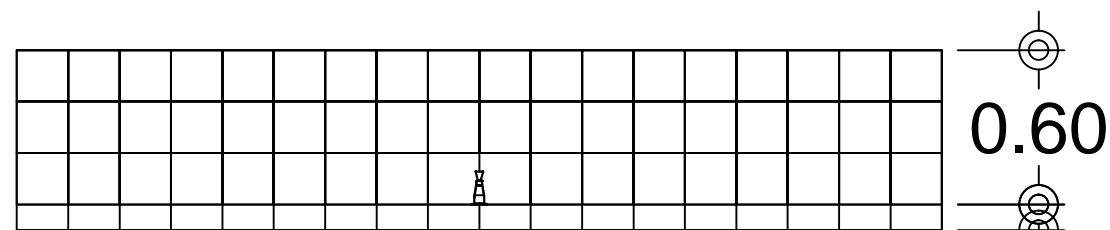


CR TILE LAY-OUT



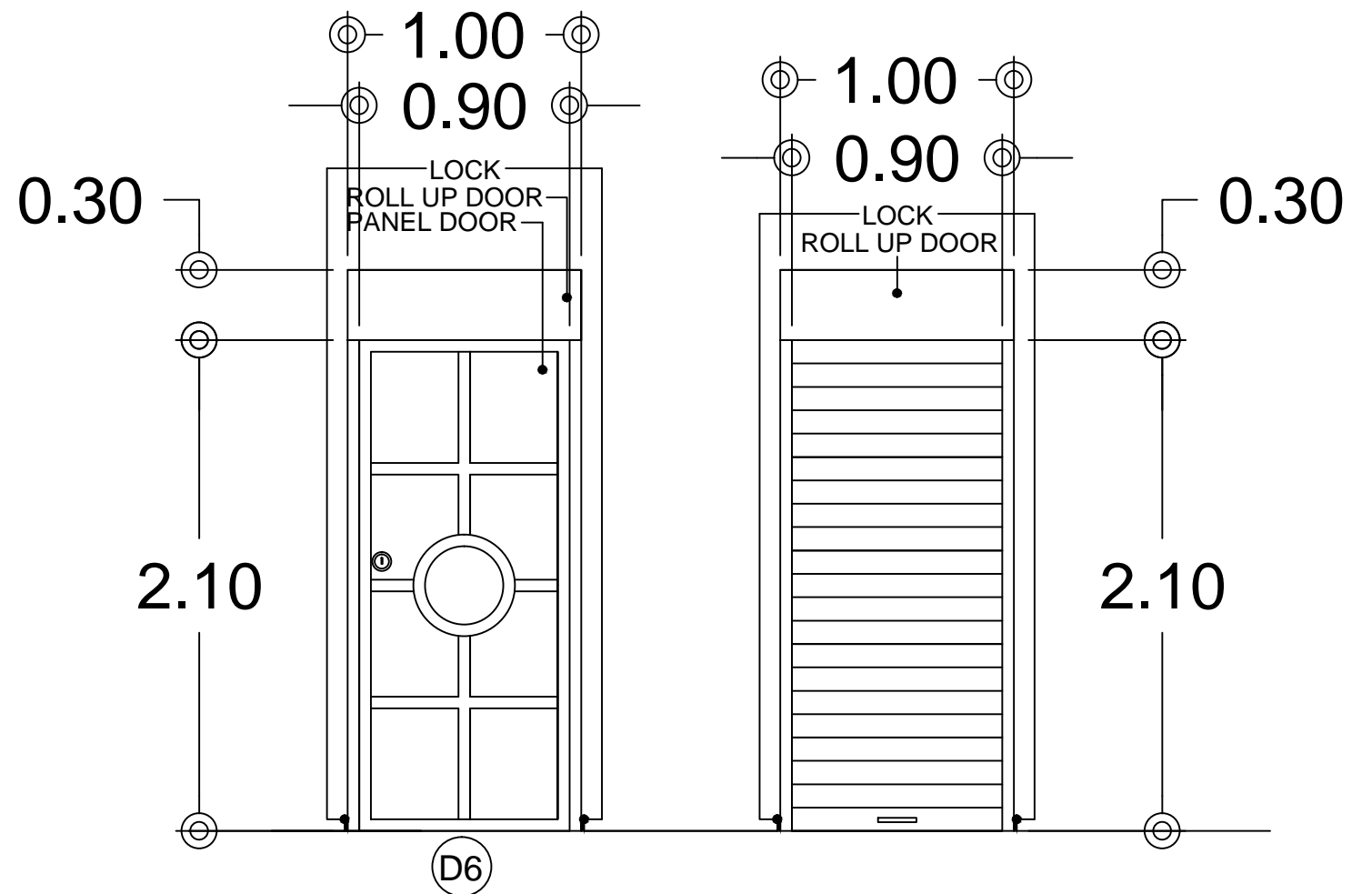
TOP VIEW



FRONT VIEW

0.10

TYPICAL SINK DETAIL



ROLL-UP DOOR DETAIL

NO. OF UNITS - 2



Project Title:
**REPAIR OF DA-PRDP PSO VISAYAS
 CLUSTER OFFICE (ILOILO)**
 LOCATION: ILOILO SPORTS COMPLEX, LAPAZ ILOILO CITY

Prepared By:
ENGR. ANTONIO RONEL T. TRINO
 I-BUILD COMPONENT HEAD

Noted By:
ENGR. JOSE ALBERT A. BARROGO
 DEPUTY PROJECT DIRECTOR

Approved By:
ENGR. REMELYN R. RECOTER MNSA, CESO-III
 PROJECT DIRECTOR

Sheet No.
6/10