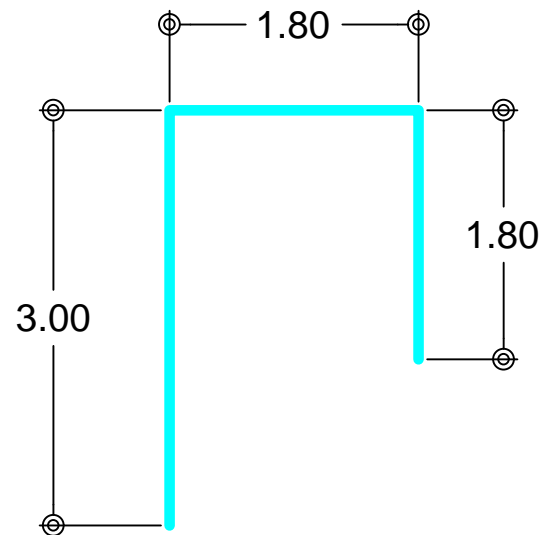
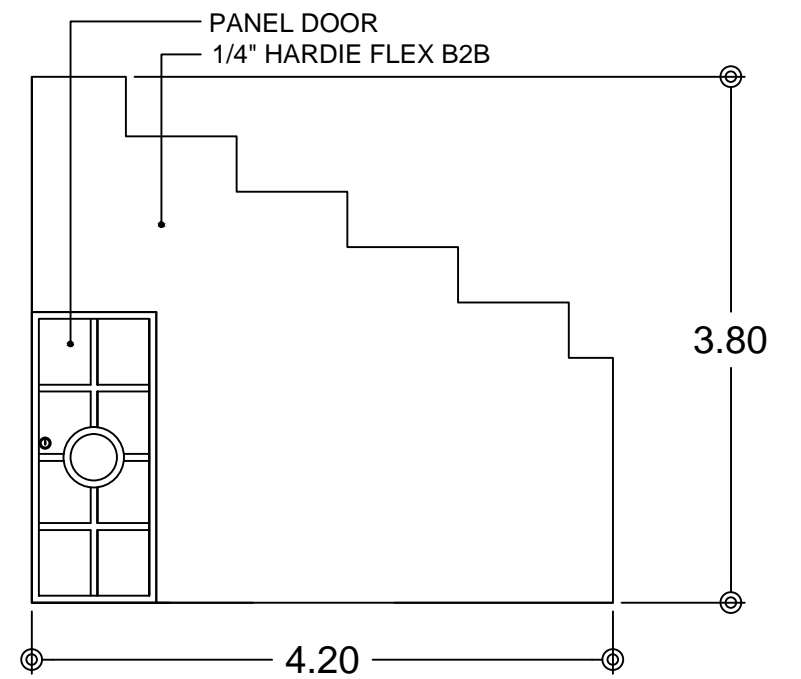
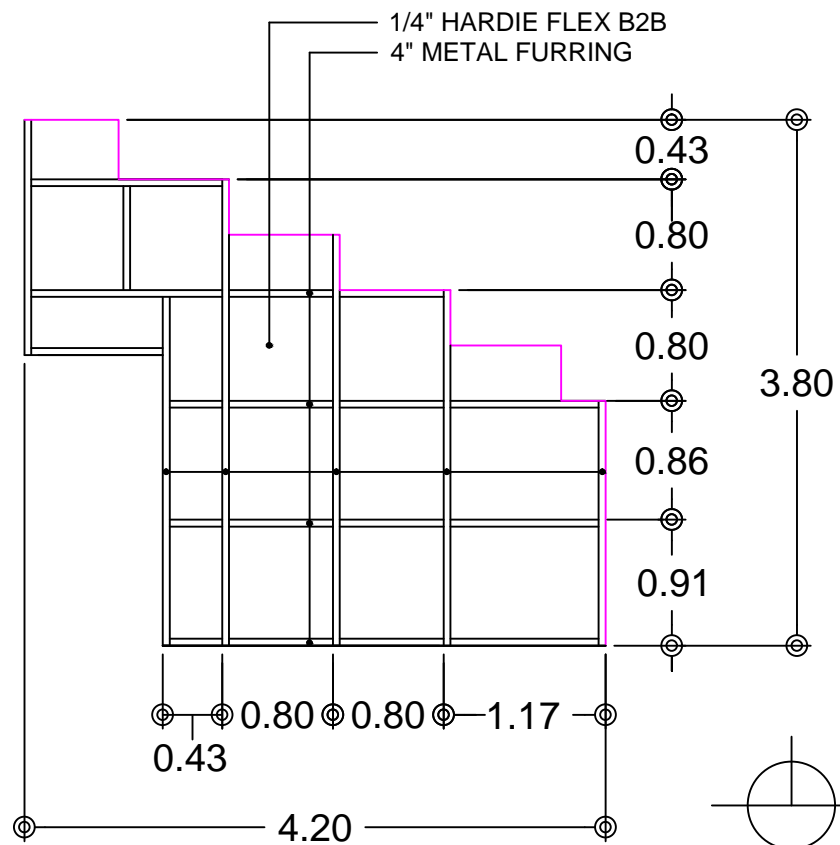
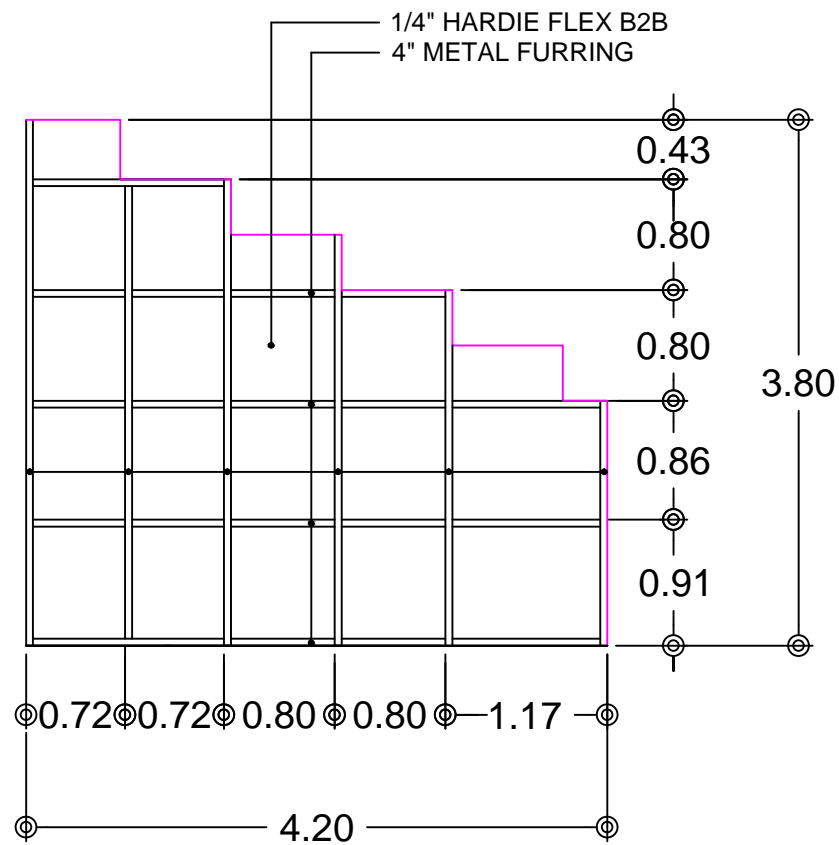
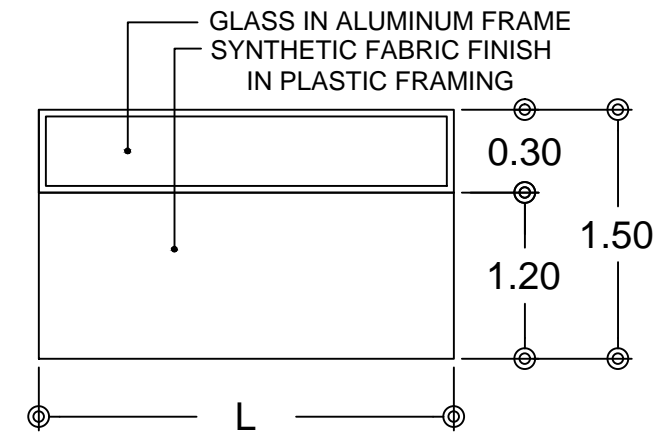


GLASS PARTITION DETAIL



PARTITION/CUBICLE DETAIL



DRY WALL DETAIL



Project Title:
**REPAIR OF DA-PRDP PSO VISAYAS
CLUSTER OFFICE (ILOILO)**
LOCATION: ILOILO SPORTS COMPLEX, LAPAZ ILOILO CITY

Prepared By:
ENGR. ANTONIO RONEL T. TRINO
I-BUILD COMPONENT HEAD

Noted By:
ENGR. JOSE ALBERT A. BARROGO
DEPUTY PROJECT DIRECTOR

Approved By:
ENGR. REMELYN R. RECOTER MNSA, CESO-III
PROJECT DIRECTOR

Sheet No.

4/10