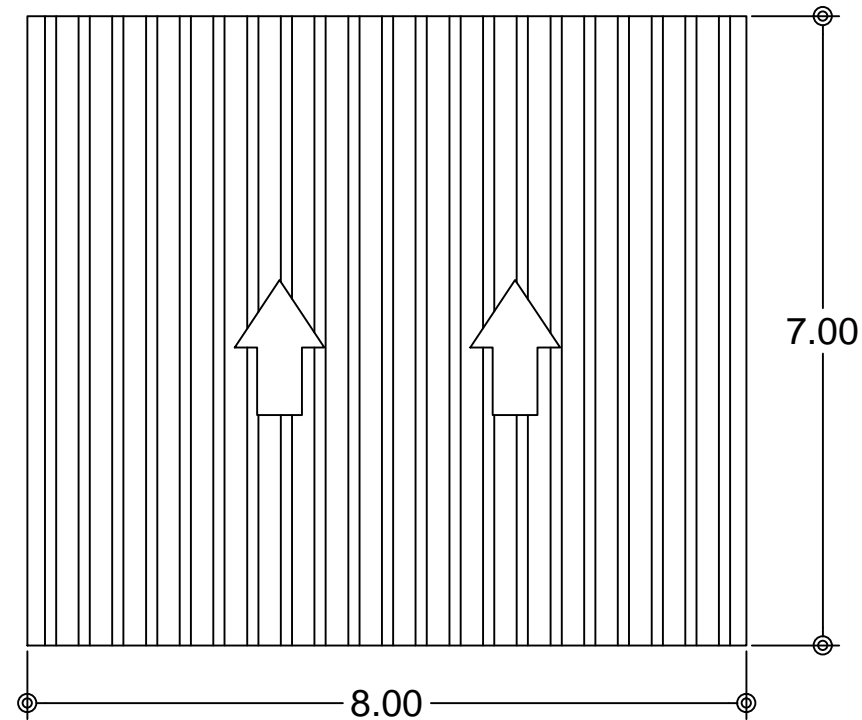
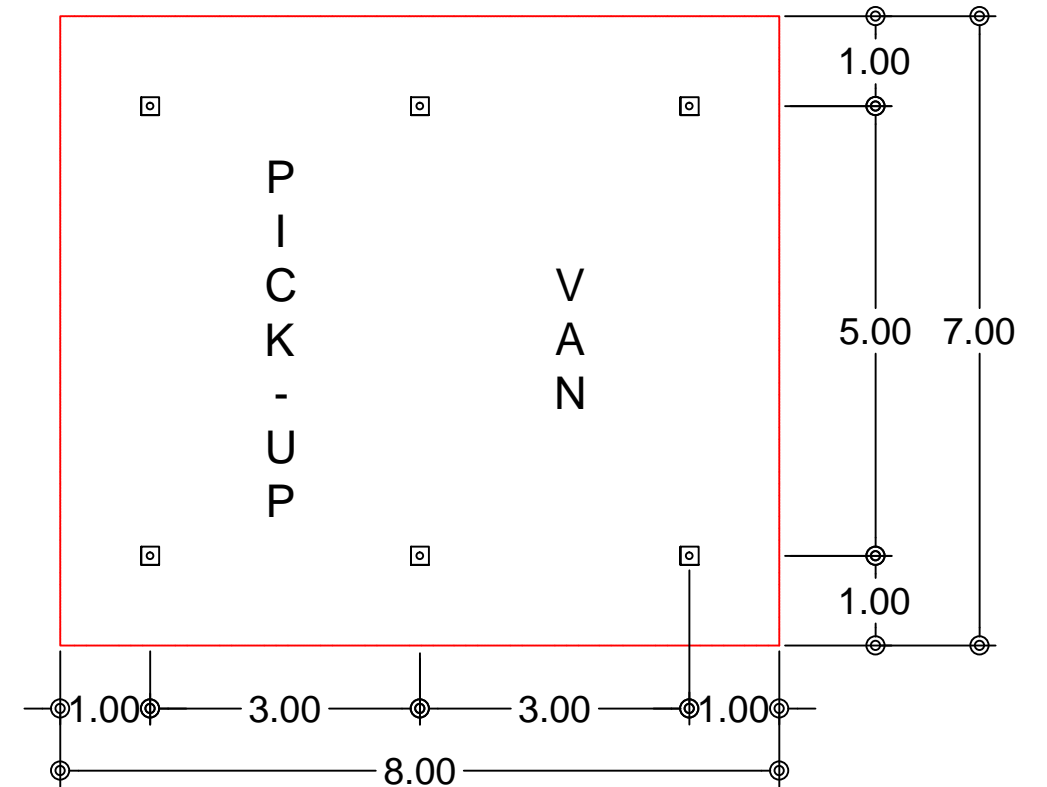


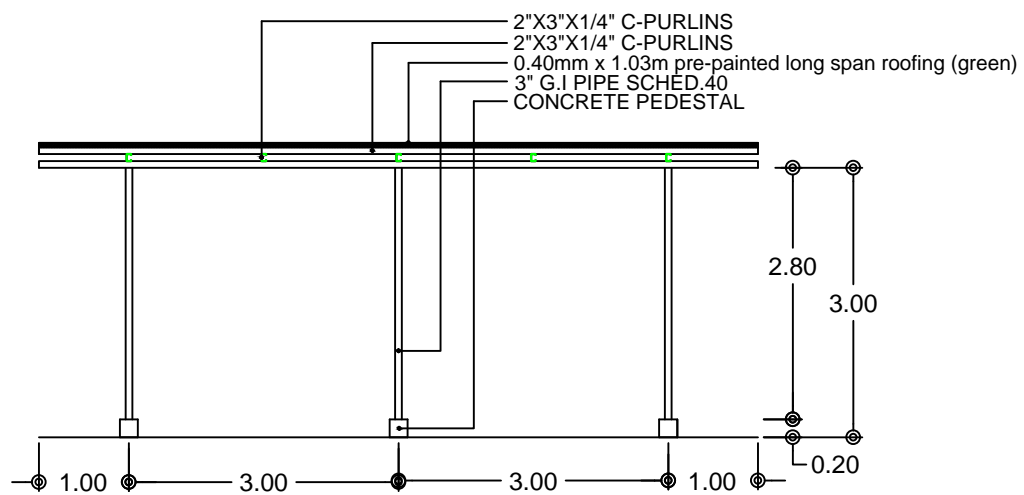
ROOF FRAMING PLAN



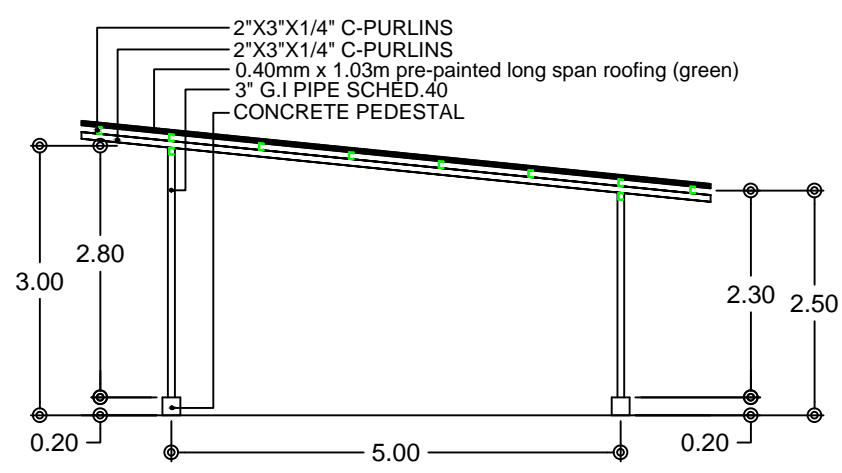
ROOF PLAN



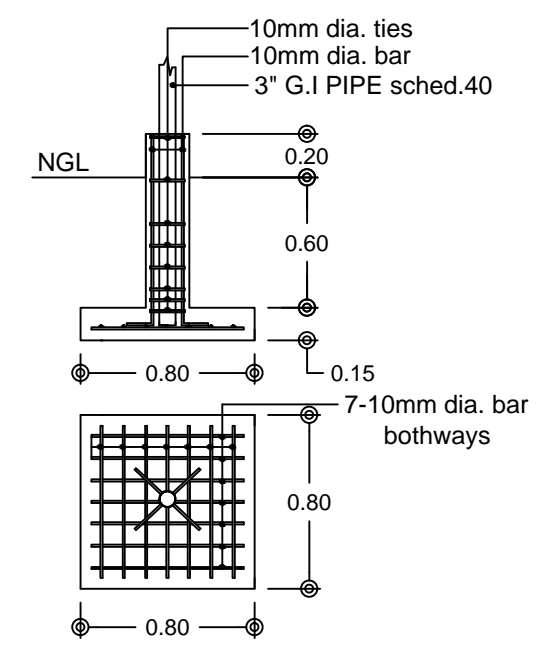
FLOOR PLAN



FRONT ELEVATION



RIGHT SIDE ELEVATION



PEDESTAL DETAIL



Project Title:
**REPAIR OF DA-PRDP PSO VISAYAS
 CLUSTER OFFICE (ILOILO)**
 LOCATION: ILOILO SPORTS COMPLEX, LAPAZ ILOILO CITY

Prepared By:
ENGR. ANTONIO RONEL T. TRINO
 I-BUILD COMPONENT HEAD

Noted By:
ENGR. JOSE ALBERT A. BARROGO
 DEPUTY PROJECT DIRECTOR

Approved By:
ENGR. REMELYN R. RECOTER MNSA, CESO-III
 PROJECT DIRECTOR

Sheet No.
10/10